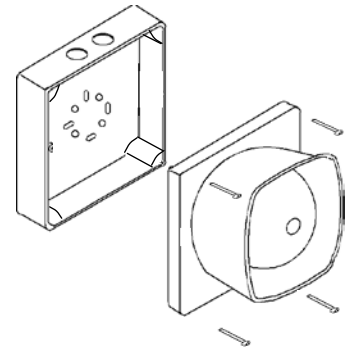


323-0001 Sita Hipoint



General Description

The Sita Hipoint unit allows for audible indication when the system enters an alarm condition. This is an addressable unit that attaches to the loop. Digital communication technology to the control panel is implemented allowing for accurate data transfer at high transmission speeds. This device is only compatible with the Sita200plus, Duonet and Quadnet ranges of control panels.



Before Installation

The Sounder must be installed in compliance with the control panel installation manual. The installation must also meet the requirements of any local authority. For maximum performance the sounder should be installed in compliance with BS5839 Pt1 : 2002 + A2 : 2008.

Spacing

Fike recommends spacing of sounders in accordance with BS5839 Pt1. For more specific information regarding sounder spacing, placement and special applications please refer to BS5839 Pt1 : 2002 + A2 : 2008.

Device Installation

Fix the back box in a suitable position using at least two screw holes/slots, remembering to allow enough cable length for installation. All wiring must be installed in compliance with the recommendations laid out by BS 5839 as well as any special recommendations documented in the control panel installation manual.

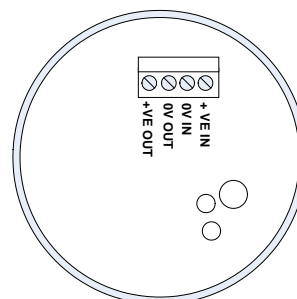
The cabling used should be of a 2-core 1.5mm² screened, fire resistant type, with the following characteristics:

- Max Capacitance Core to Screen..... 180pF / m
- Max Capacitance Core to Core..... 100pF / m
- Max Inductance..... 1.0mH / km
- Max Resistance Two Core Screened 1.5mm²..... 12.1Ω / km

It is to be wired in the form of a screened 2-core loop returning to the control panel. The use of spurs on this system is not permitted.

Cables may be terminated into the connectors, as shown below. No screen connection is allowed for within the device. Incoming and outgoing cable screens must therefore be connected through using a suitable connector. The cable screens must not be connected to building earth. Care should be taken when terminating devices to ensure all cables are correctly sleeved and connections are secure. Improper connections will prevent a system from responding properly in the event of a fire.

Terminal	Description
+VE IN	Loop +ve IN
0V IN	Loop -ve IN
0V OUT	Loop -ve OUT
+VE OUT	Loop +ve OUT



The Loop +ve (positive) IN and the Loop +ve (positive) OUT connections are split within the module, for cable continuity readings at the commissioning stage they must be temporarily removed and connected through. Please remember that all high voltage testing must be carried out before the installation of the electronics, otherwise the electronics will be damaged. Please also remember to use a suitable connection (not supplied) to maintain the screen integrity of the loop.

Once all testing has been carried out on the cabling and **continuity & insulation** has been proven, the Hipoint front may be fitted.

NOTE: Before installing the sounder remember to note the serial number of the device (located on the rear of the unit) on to your drawings or configuration sheets to enable you to prove its location later. The address allocation for the device is carried out automatically by the control panel whilst in initialisation mode, so addresses do not need to be set manually. See the system Installation and Operating Instructions for further details.

The Hipoint front is fitted by locating the rubber seal in the groove on the back box and then pushing the front unit gently home. The four fixing screws may then be tightened as required.

Device Settings

The sounder modes may be configured using the relevant panel software configuration package (OSP).

	Type	Description
Sound Pattern:	SP0	Sounder off
	SP1	Single tone, 970 Hz continuous
	SP2	Pulsed UK alert signal, 970 Hz 1s on, 1s off
	SP3	Dual tone UK evacuate signal, 970 Hz 0.25s, 800 Hz 0.25s
	SP4	Sweep up, 800 Hz to 970 Hz over 1s
	SP5	Slow whoop up, 500 to 1200 Hz over 3s, 0.5s off
	SP6	Sweep down, 1200 Hz to 500 Hz over 1s
	SP7	Dual tone French warble, 550 Hz 0.1s, 440 Hz 400ms
Sound Volume:	L/M/H	Low, medium and high settings are available

See the Engineering & Commissioning Manual for your control panel (Sita, Duonet or Quadnet) for further details of how to program the above.

Technical Data

Dimensions:	123mm x 130mm x 103mm
Operating Temperature:	-10°C to +50°C.
Flammability:	UL94-V2
IP Rating:	IP33C
Voltage Range (Loop):	24 to 42V DC
System Compatibility:	Sita200plus V2.30 onwards. Duonet and Quadnet V1 onwards.

PRODUCT DESCRIPTION			VOLUME LEVEL (dBA)		
Type	Product Code	Name	Low	Medium	High
SNDR	323 0001	Sita Hipoint Mk3	65+	84	87

			LOOP CURRENT (mA)				
Type	Product Code	Name	Quiescent	SP0 - Off	Low	Medium	High
SNDR	323 0001	Sita Hipoint Mk3	0.18	-	1.73	3.84	5.36

			BATTERY CURRENT (mA)				
Type	Product Code	Name	Quiescent	SP0 - Off	Low	Medium	High
SNDR	323 0001	Sita Hipoint Mk3	0.18	-	3.59	7.99	11.16

			DLU RATING			
Type	Product Code	Name	SP0 - Off	Low	Medium	High
SNDR	323 0001	Sita Hipoint Mk3	-	2	4	5.5


N.B. All specified volume and current readings, unless otherwise stated are taken using sound pattern SP3.

Technical Support

Contact your supplier for technical support on this product.

Due to the complexity and inherent importance of a life risk type system, training on this equipment is essential, and commissioning should only be carried out by competent persons. Fike cannot guarantee the operation of any equipment unless all documented instructions are complied with, without variation. This unit complies with the EMC directive.

Fike's policy is one of continual improvement and the right to change a specification at any time without notice is reserved. Whilst every care has been taken to ensure that the contents of this document are correct at time of publication, Fike shall be under no liability whatsoever in respect of such contents. E&OE.

 0832	
Fike Safety Technology Ltd Unit 31, Springvale Ind. Est. Torfaen, NP44 5BD 11 DoP-323-0001	
EN54-3: 2001 +A1: 2002 +A2: 2006, EN54-17: 2005 Sounder Technical Data: See 26-0747 Isolator Technical Data: See 26-1112 323-0001 Intended for use in the fire detection and fire alarm Systems in and around buildings	
Essential characteristics	Performance
Nominal activation conditions/Sensitivity, Response delay (response time) and performance under fire conditions	Pass
Operational reliability	Pass
Durability of operational reliability and response delay, Temperature resistance	Pass
Durability of operational reliability, Vibration resistance	Pass
Durability of operational reliability, Humidity resistance	Pass
Durability of operational reliability, Corrosion resistance	Pass
Durability of operational reliability, Electrical stability	Pass
Performance under fire conditions	Pass
Durability of operational reliability, Resistance to ingress	Pass